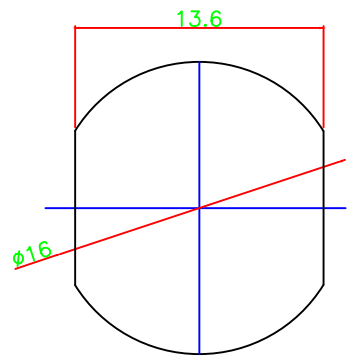
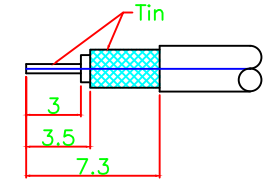
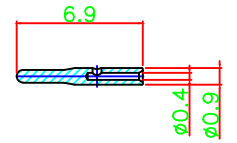
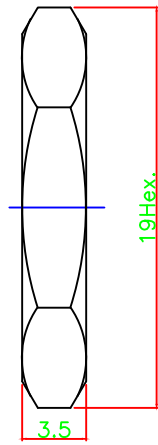
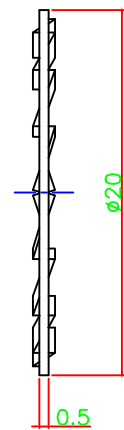
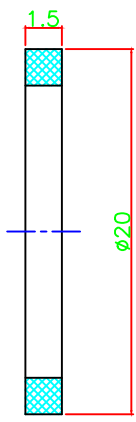


- 1. Solde
- 2. 028" / 0.7mm Hex. Crimp



RECOMMENDED MOUNTING HOLES



NO	Description	Material	Finish
1	Body	Brass	Nickel
2	Contact	Brass	Gold
3	Insulator	Teflon	-
4	Bullet	Brass	Gold
5	Nut	Brass	Nickel
6	Washer	Brass	Nickel
7	Gasket	Silicone	-
8	Cable Tube	Brass	Nickel

Dimensions Are in Millimeters
Unless Otherwise Specified
Tolerances

0.5-6 = ± 0.2
6-30 = ± 0.4
30-120 = ± 0.6
120-315 = ± 1.0
315-1000 = ± 1.6
1000-2000 = ± 2.4



COSMTEC COSMTEC RESOURCES CO., LTD

DRAFT CHECKED APPROVED

The Drawing Contains Information That Is Proprietary To Cosmtec Resources Co., Ltd And Should Not Be Used Without Written Permission. www.cosmtec.com

1	Impedance	50Ω
2	Frequency	DC~6 GHz
3	V.S.W.R	1.5 Max
4	Working Voltage	1,400V
5	Insulation Resistance	5000 MΩ Min
6	Contact Resistance	Center contact ≤ 2.0mΩ Outer contact ≤ 0.5mΩ
7	Temperature Range	-55°C ~ +165°C
8	Mating	Screw-On
10	Material/Finish	All RoHS Compliant

Part No. N-007-DC-1.37

Title: N JACK BULKHEAD DC-TYPE FOR 1.37 T.G.N.

DATE: NOV/28/2022 SCALE: 1:1 UNIT: m/m REV: A