

MMCX Female Connector Solder Through Hole PCB

RF Connector Technical Data Sheet **MX-004**

Configuration

- MMCX Female Connectr
- Solder For PCB
- 50 Ohms

Features

- Max VSWR of 1.25 : 1 up to 6 GHz
- MMCX Interface compliant with IEC-61169-52

Applications

- General Purpose Test

Electrical Specifications

Description	Minimum	Typical	Maximum	Units
Frequency Range	DC		6	GHz
VSWR			1.25 : 1	
Operating Voltagr(AC)			250	Vrms

Mechanical Specifications

Size

Length	[mm]	----
Width	[mm]	----
Height	[mm]	----
Weight	[g]	----



MMCX Female Connector Solder Through Hole PCB
RF Connector Technical Data Sheet
MX-004

Weight

Description	Connector 1
Type	MMCX Female
Polarity	Standard
Interface Specification	IEC 61169-52

Material Specifications

Connector		
Description	Material	Plating
Type	MMCX Female	-
Contact	Beryllium Copper	Gold
Insulation	PTFE	-
Body	Brass	Gold

Environmental Specifications
Temperature

Operating Range -50 to +150 deg C

Compliance Certifications

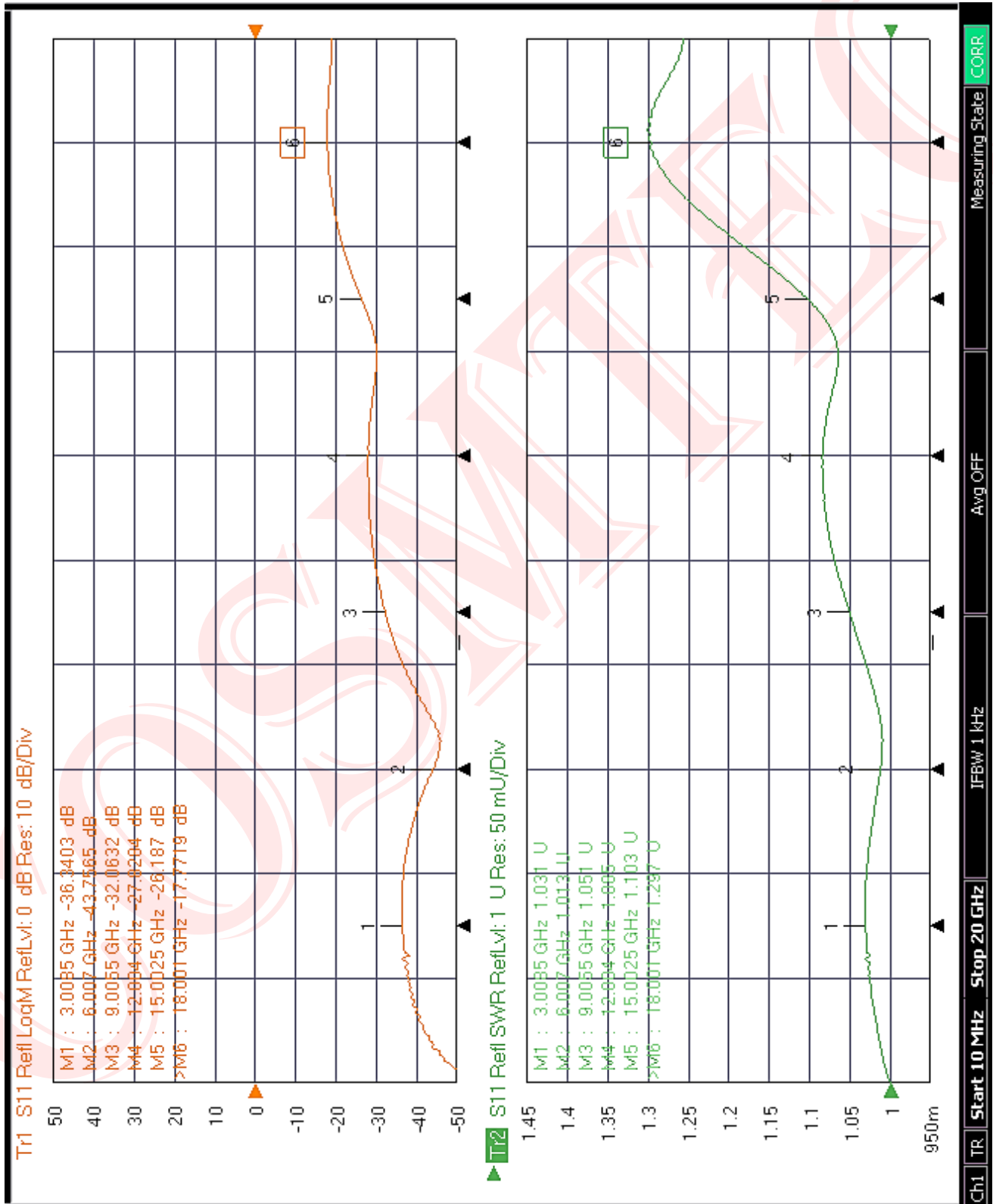
- RoHS Compliant Yes

Plotted and Other Data

Notes :

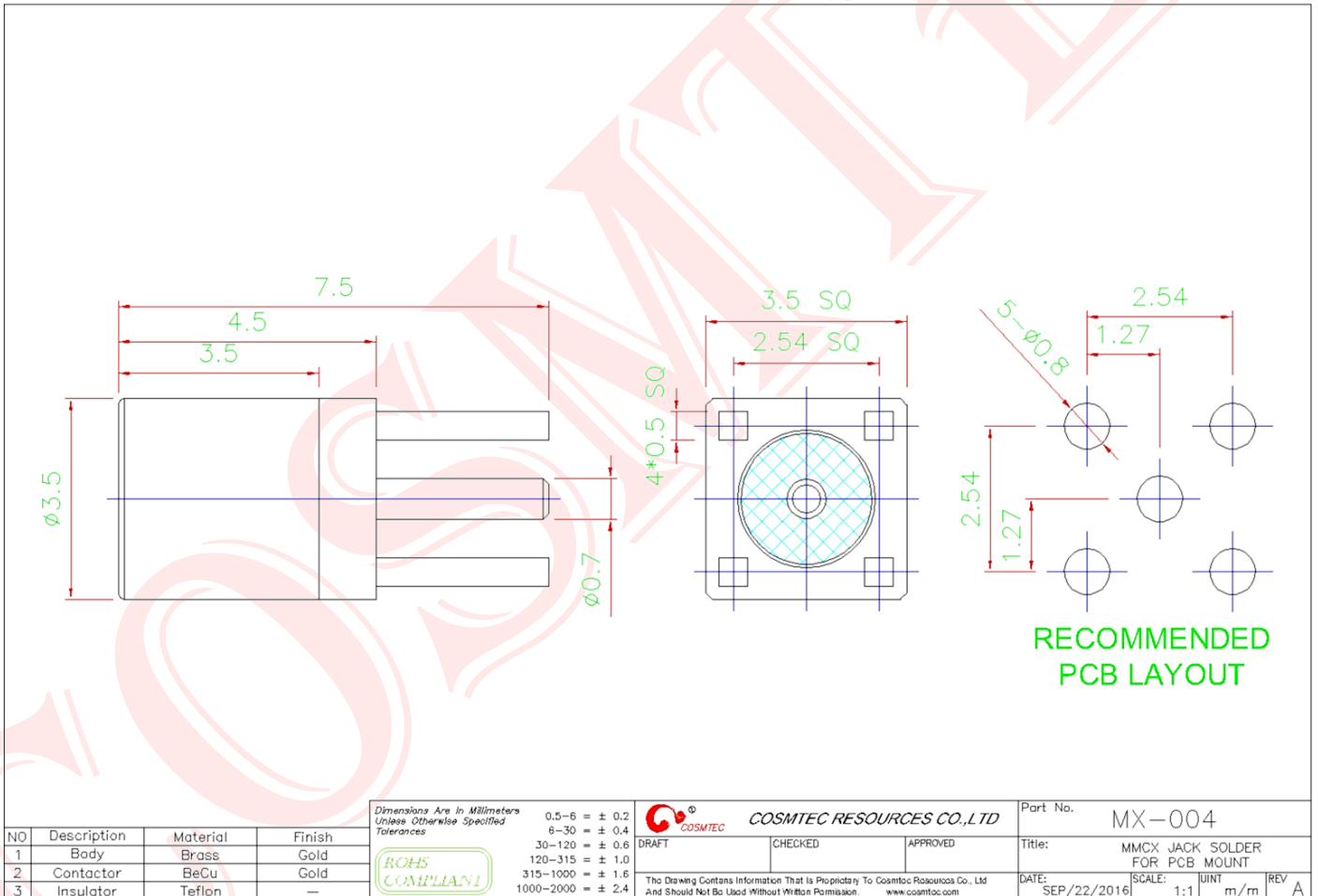
MMCX Female Connector Solder Through Hole PCB

RF Connector Technical Data Sheet MX-004



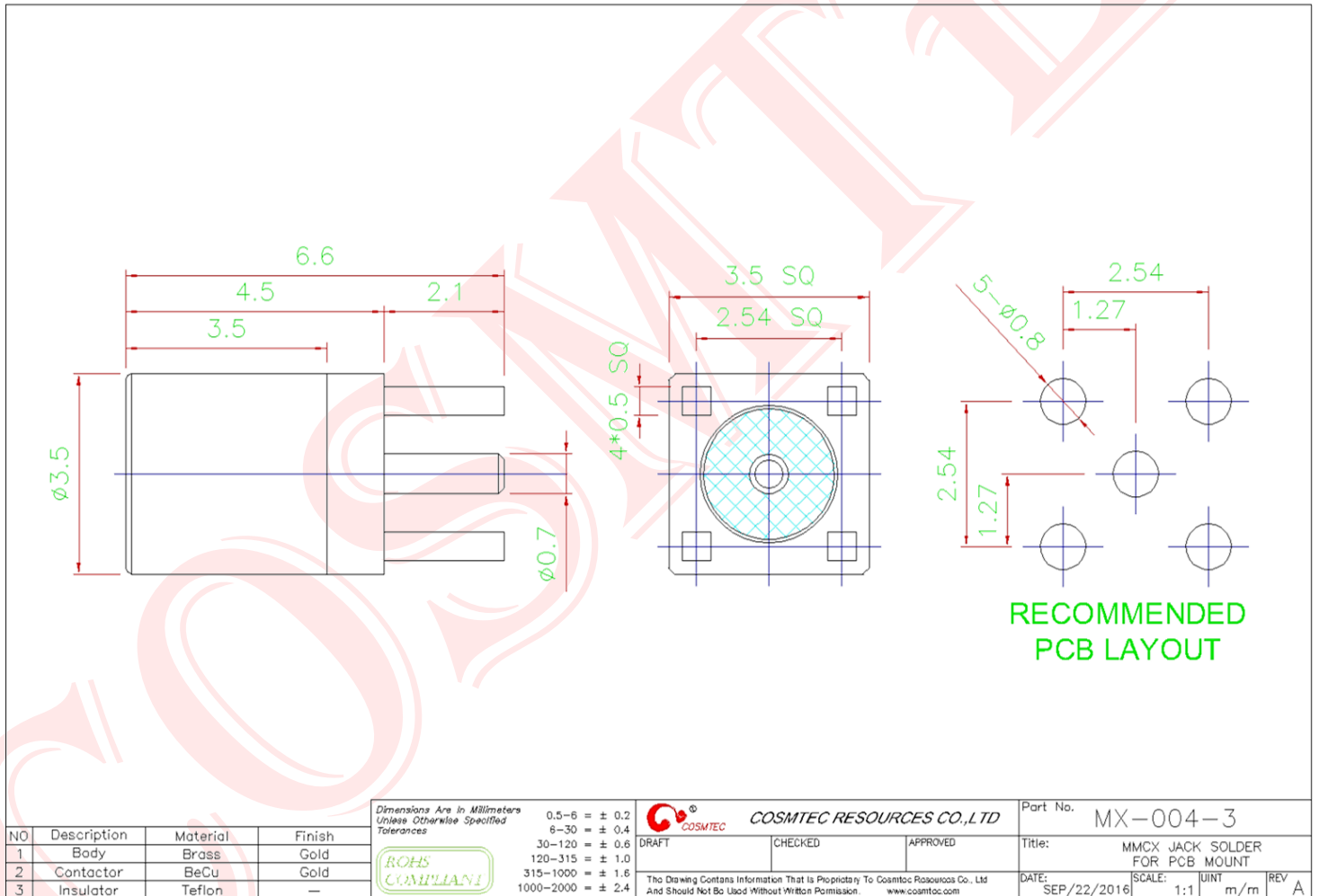
MMCX Female Connector Solder Through Hole PCB

RF Connector Technical Data Sheet MX-004

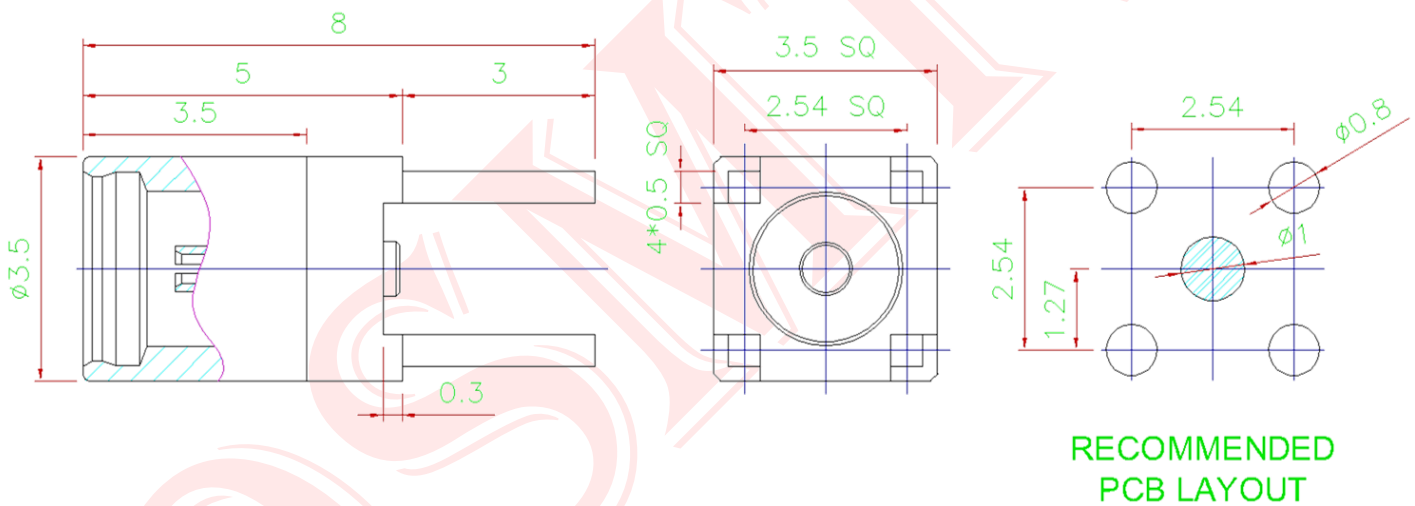
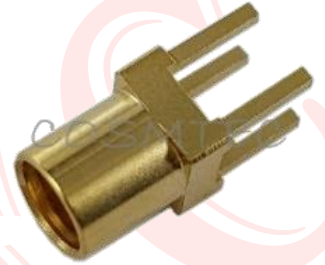


MMCX Female Connector Solder Through Hole PCB

RF Connector Technical Data Sheet MX-004-3



MMCX Female Connector Solder Through Hole PCB
RF Connector Technical Data Sheet
MX-004-6



**RECOMMENDED
PCB LAYOUT**

NO	Description	Material	Finish	Dimensions Are in Millimeters Unless Otherwise Specified Tolerances			Part No.
1	Body	Brass	Gold	0.5-6 = ± 0.2	6-30 = ± 0.4	30-120 = ± 0.6	MX-004-6
2	Contact	BeCu	Gold	120-315 = ± 1.0	315-1000 = ± 1.6	1000-2000 = ± 2.4	Title: MMCX JACK SOLDER FOR PCB SMT-TYPE LONG LAGE
3	Insulator	Teflon	-				DATE: SEP/22/2016
				 COSMTEC RESOURCES CO., LTD			SCALE: 1:1
				DRAFT CHECKED APPROVED			UNIT m/m
				The Drawing Contains Information That is Proprietary To Cosmtoc Resources Co. Ltd And Should Not Be Used Without Written Permission. www.cosmtoc.com			REV A