

SMA Female Solder End Launch
RF Connector Technical Data Sheet
S-036-29(A)

Configuration

- SMA Female Connectr
- Solder
- 50 Ohms
- End Launch

Features

- Max VSWR of 1.25 : 1 up to 18 GHz
- SMA Interface compliant with MIL-STD-348A

Applications

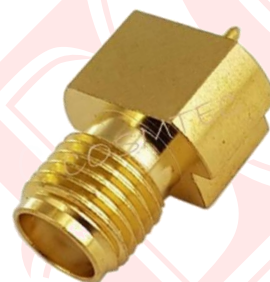
- General Purpose Test

Electrical Specifications

Description	Minimum	Typical	Maximum	Units
Frequency Range	DC		18	GHz
VSWR			1.25 : 1	

Mechanical Specifications
Size

Length	[mm]	16.0
Width	[mm]	9.5
Height	[mm]	6.6
Weight	[g]	3



SMA Female Solder End Launch
RF Connector Technical Data Sheet
S-036-29(A)

Weight

Description	Connector
Type	SMA Female
Polarity	Standard
Interface Specification	MIL-STD-348A MIL-C-39012
Mating Cycles	500

Material Specifications

Connector 1		
Description	Material	Plating
Type	SMA Female	-
Contact	Beryllium Copper	Gold
Insulation	PTFE	-
Body	Brass	Gold

Environmental Specifications
Temperature

Operating Range -60 to +165 deg C

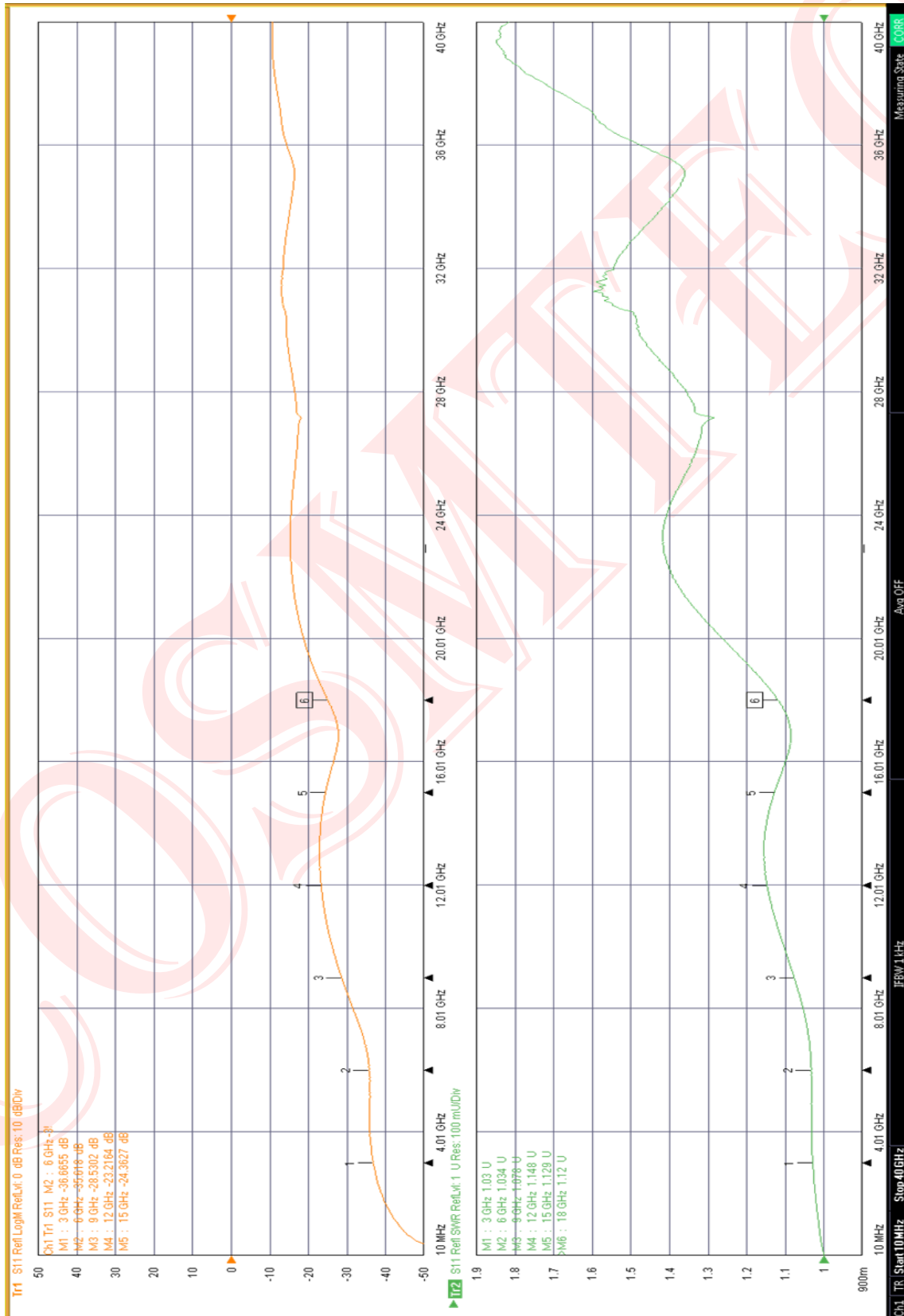
Compliance Certifications

- RoHS Compliant Yes

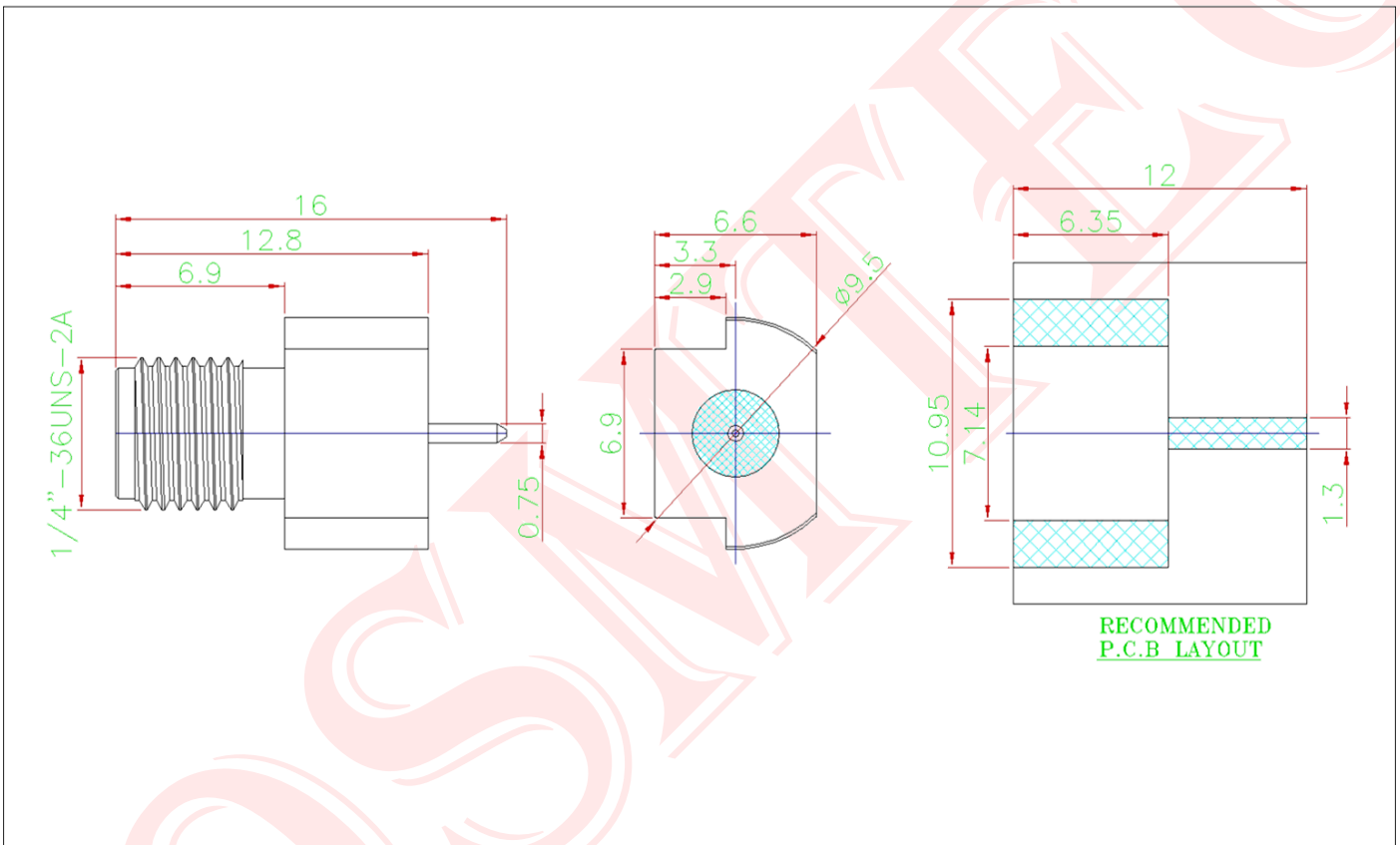
Plotted and Other Data

Notes :

SMA Female Solder End Launch
RF Connector Technical Data Sheet
S-036-29(A)



SMA Female Solder End Launch
RF Connector Technical Data Sheet
S-036-29(A)



**RECOMMENDED
P.C.B LAYOUT**

NO	Description	Material	Finish	<small>Dimensions Are in Millimeters Unless Otherwise Specified</small> <small>Tolerances</small>			 COSMTEC RESOURCES CO.,LTD			Part No.				
1	Body	Brass	Gold	0.5-6 = ± 0.2	6-30 = ± 0.4	30-120 = ± 0.6	DRAFT	CHECKED	APPROVED	S-036-29(A)				
2	Contactors	P.H. Bronze	Gold	120-315 = ± 1.0	315-1000 = ± 1.6	1000-2000 = ± 2.4	<small>This Drawing Contains Information That Is Proprietary To Cosmtoc Resources Co., Ltd And Should Not Be Used Without Written Permission.</small>			Title: SMA JACK SOLDER END LAUNCH				
4	Insulator	Teflon	-				DATE:	OCT/20/2016	SCALE:	1:1	UNIT:	m/m	REV:	A