

SMA Male to SMA Female Right Angle Adapter

RF Adapters Technical Data Sheet **S-032-18HP-TGG (18GHz)**

Configuration

- SMA Male Connectr 1
- SMA Female Connectr 2
- 50 Ohms
- Right Angle Body

Features

- Max VSWR of 1.25 : 1 up to 18 GHz
- SMA Interface compliant with MIL-STD-348A

Applications

General Purpose Test

Electrical Specifications

Description	Minimum	Typical	Maximum	Units
Frequency Range	DC		18	GHz
VSWR		1.20 : 1	1.25 : 1	
Operating Voltagr(AC)			500	Vrms
Inner Conductor DC Resistance			3	mOhms
Outer Conductor DC Resistance			2	mOhms
Insertion Resistance	5,000			mOhms

Mechanical Specifications

Size

Length	[mm]	17.4
Width	[mm]	9.2
Height	[mm]	16.7
Weight	[g]	6.1



SMA Male to SMA Female Right Angle Adapter

RF Adapters Technical Data Sheet **S-032-18HP-TGG (18GHz)**

Weight

Description	Connector 1	Connector2
Type	SMA Male	SMA Female
Polarity	Standard	Standard
Interface Specification	MIL-STD-348A	MIL-STD-348A
	MIL-C-39012	MIL-C-39012
Mating Cycles	500	500
Hex Size	8 mm	-
Mating Torque	3 to 5 in-lbs	-
Coupling Proof Torque, Min	5 in-lbS	-

Material Specifications

Description	Connector 1		Connector2	
	Material	Plating	Material	Plating
Type	SMA Male	-	SMA Female	-
Contact	Beryllium Copper	Gold	Beryllium Copper	Gold
Insulation	PTFE	-	PTFE	-
Outer Conductor	-	-	Brass	Gold
Body	Brass	Gold	-	-
Gasket	Silicone	-	-	-
Coupling Nut	Brass	Gold	-	-

Environmental Specifications

Temperature

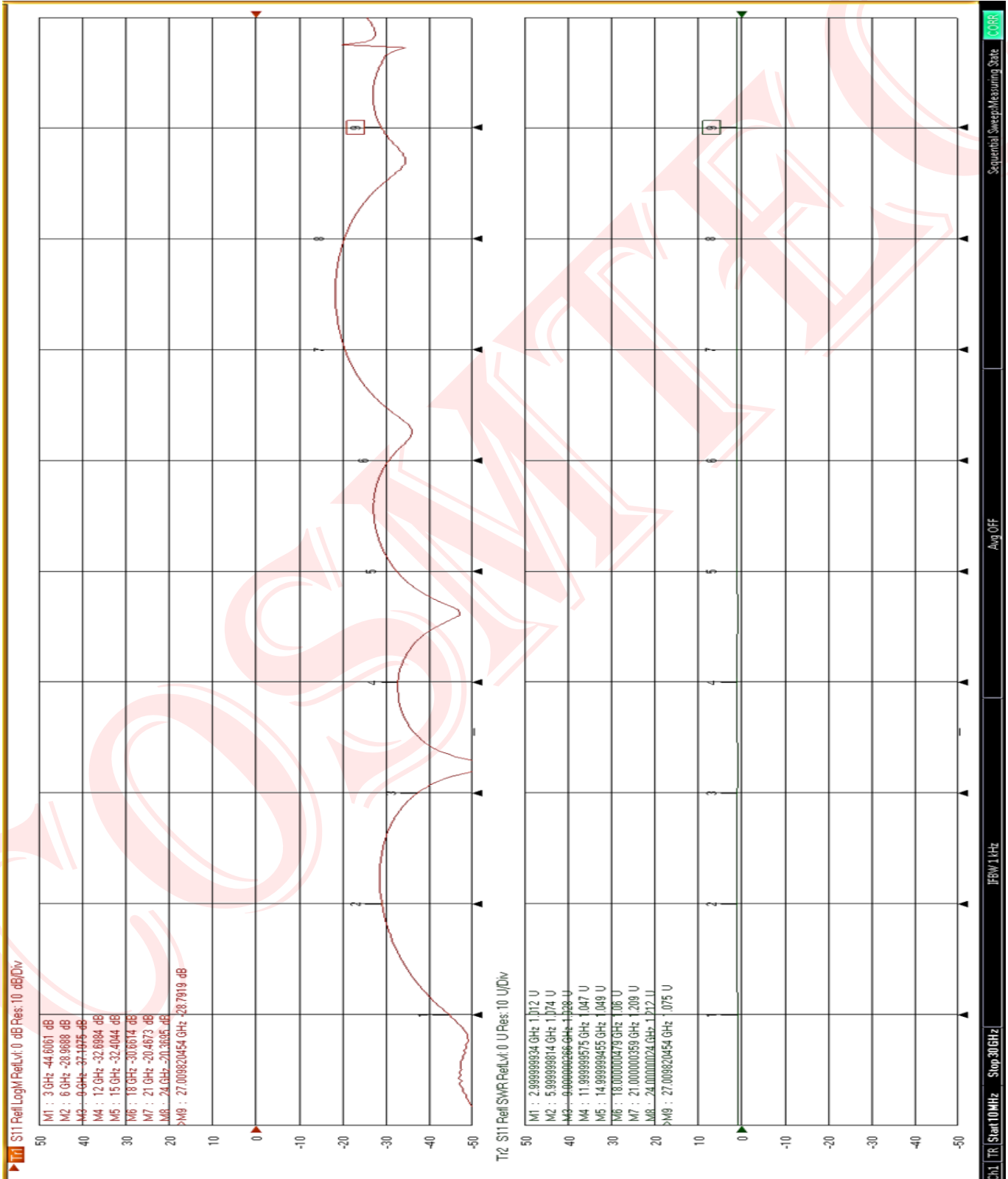
Operating Range -50 to +125 deg C

Compliance Certifications

- RoHS Compliant Yes

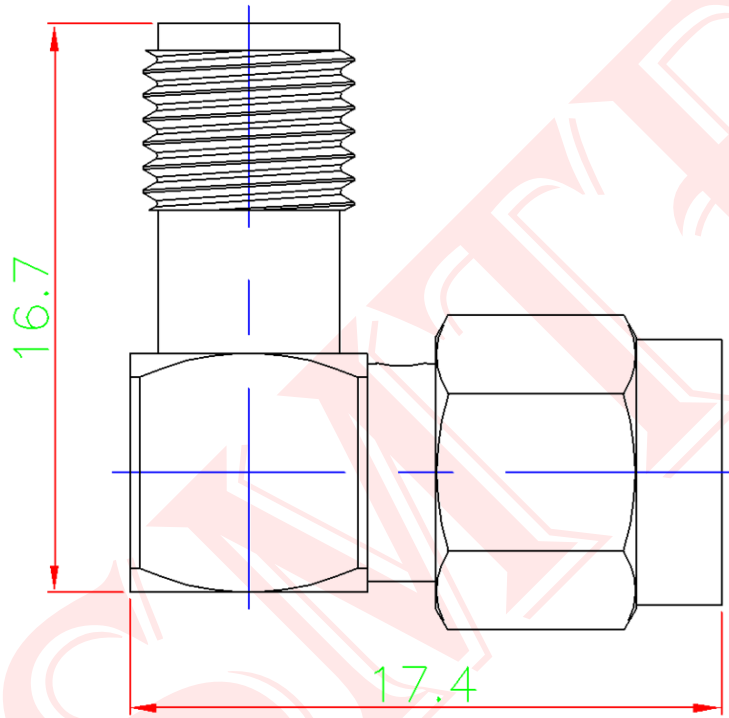
Plotted and Other Data



Notes :

SMA Male to SMA Female Right Angle Adapter
RF Adapters Technical Data Sheet
S-032-18HP-TGG (18GHz)


SMA Male to SMA Female Right Angle Adapter

RF Adapters Technical Data Sheet S-032-18HP-TGG (18GHz)



NO	Description	Material	Finish	Dimensions Are In Millimeters Unless Otherwise Specified Tolerances			Part No.
1	Shell	Brass	Gold	0.5-6	= ± 0.2		S-032-18HP-TGG
2	Body	Brass	Gold	8-30	= ± 0.4		
3	Contactors	BeCu	Gold	30-120	= ± 0.6		
4	Insulator	Teflon	-	120-315	= ± 1.0		
				315-1000	= ± 1.6		
				1000-2000	= ± 2.4		
				 COSMTEC RESOURCES CO.,LTD			DRAFT CHECKED APPROVED
				<small>The Drawing Contains Information That Is Proprietary To Cosmtec Resources Co., Ltd And Should Not Be Used Without Written Permission. www.cosmtec.com</small>			Title: SMA PLUG - JACK RIGHT ANGLE ADAPTER DATE: SEP/22/2016 SCALE: 1:1 UNIT: m/m REV: A