

**SMA Female Connector Solder 4 Holes Flange Mount**  
**RF Connector Technical Data Sheet**  
**S-029-TGG**

**Configuration**

- SMA Female Connectr
- Solder
- 50 Ohms
- 4 Holes Flange Mount

**Features**

- Max VSWR of 1.25 : 1 up to 18 GHz
- SMA Interface compliant with MIL-STD-348A

**Applications**

- General Purpose Test

**Electrical Specifications**

Description	Minimum	Typical	Maximum	Units
Frequency Range	DC		18	GHz
VSWR			1.25 : 1	

**Mechanical Specifications**
**Size**

Length	[mm]	14.5
Width	[mm]	12.7
Height	[mm]	-
Weight	[g]	2.70



**SMA Female Connector Solder 4 Holes Flange Mount**  
**RF Connector Technical Data Sheet**  
**S-029-TGG**

**Weight**

Description	Connector
Type	SMA Female
Polarity	Standard
Interface Specification	MIL-STD-348A MIL-C-39012
Mating Cycles	500

**Material Specifications**

Connector 1		
Description	Material	Plating
Type	SMA Female	-
Contact	Phosphor Bronze	Gold
Insulation	PTFE	-
Body	Brass	Gold

**Environmental Specifications**
**Temperature**

Operating Range                      -50 to +125 deg C

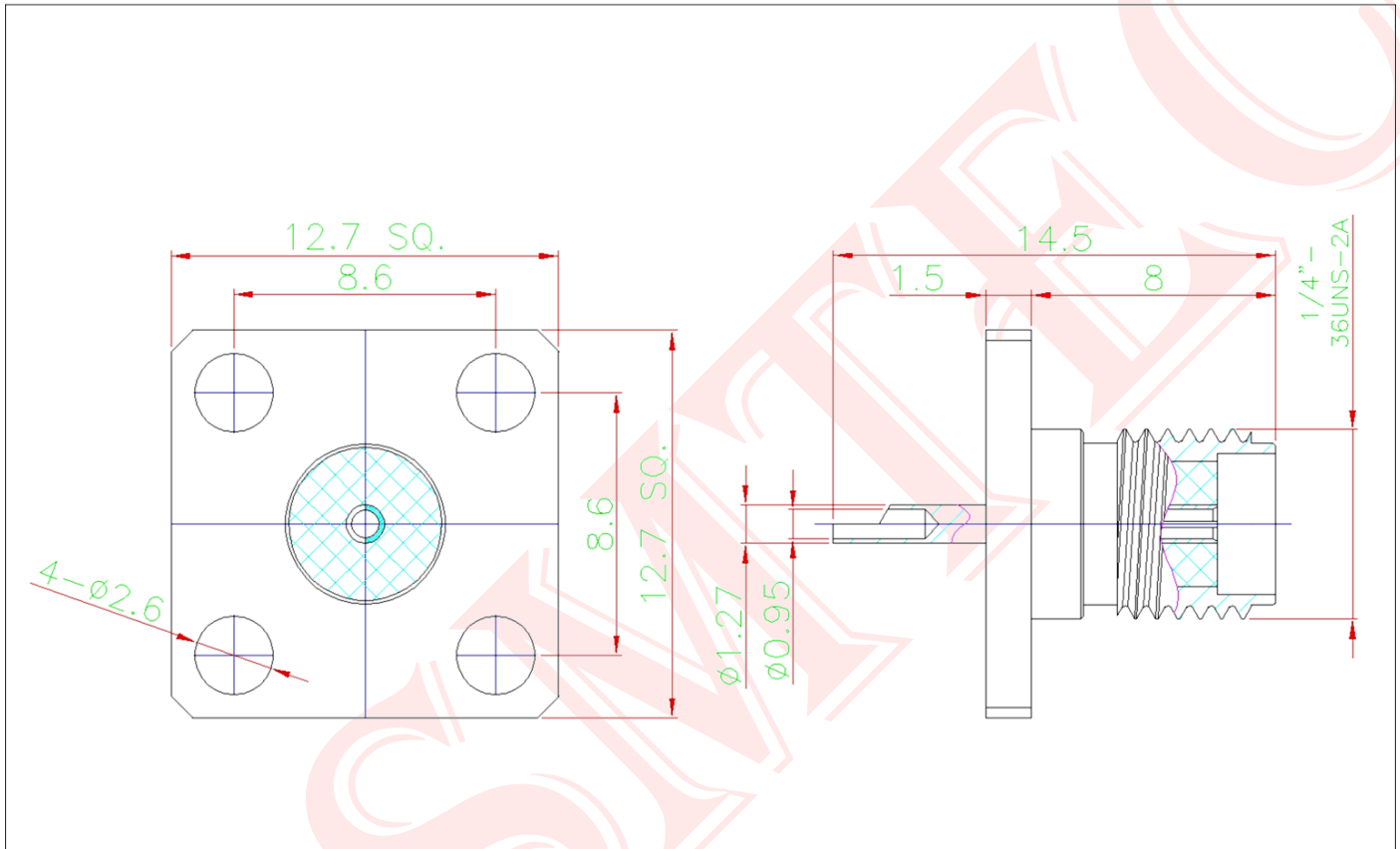
**Compliance Certifications**

- RoHS Compliant      Yes

**Plotted and Other Data**

Notes :

**SMA Female Connector Solder 4 Holes Flange Mount**  
**RF Connector Technical Data Sheet**  
**S-029-TGG**



Dimensions Are In Millimeters Unless Otherwise Specified				Tolerances			COSMTEC RESOURCES CO., LTD			Part No. S-029		
NO	Description	Material	Finish	0.5-6	= ± 0.2	DRAFT	CHECKED	APPROVED	Title: SMA JACK SOLDER FLANGE MOUNT 4 HOLES			
1	Body	Brass	Gold	6-30	= ± 0.4				DATE: NOV/17/2016			
2	Insulator	Teflon	-	30-120	= ± 0.6				SCALE: 1:1			
3	Contact	P.H. Bronze	Gold	120-315	= ± 1.0				UNIT: m/m			
				315-1000	= ± 1.6	The Drawing Contains Information That Is Proprietary To Cosmtec Resources Co., Ltd And Should Not Be Used Without Written Permission.			REV: A			
				1000-2000	= ± 2.4	www.cosmtcc.com						