

2.92(K) Male to 2.92(K) Female Adapter
RF Connector Technical Data Sheet
K-054-ST

Configuration

- 2.92(K) Male Connectr 1
- 2.92(K) Female Connectr 2
- 50 Ohms

Features

- Max VSWR of 1.2 : 1 up to 40 GHz
- 2.92(K) Interface compliant with IEC-61169-35

Applications

- General Purpose Test

Electrical Specifications

Description	Minimum	Typical	Maximum	Units
Frequency Range	DC		40	GHz
VSWR	1.15		1.2 : 1	
Operating Voltagr(AC)			250	Vrms
Inner Conductor DC Resistance			3	mOhms
Outer Conductor DC Resistance			2	mOhms
Insertion Resistance	5,000			MOhms

Mechanical Specifications

Size

Length	[mm]	24.71
Width	[mm]	9.0
Height	[mm]	9.0
Weight	[g]	7.0

2.92(K) Male to 2.92(K) Female Adapter
RF Connector Technical Data Sheet
K-054-ST

Description	Connector 1	Connector2
Type	2.92(K) Male	2.92(K) Female
Polarity	Standard	Standard
Interface Specification	IEC-61169-35	IEC-61169-35
Mating Cycles	500	500
Hex Size	8mm	-
Mating Torque	8 in-lbs	-
Coupling Proof Torque, Min	5 in-lbs	-

Material Specifications

Description	Connector 1		Connector2	
	Material	Plating	Material	Plating
Type	2.92(K) Male	-	2.92(K) Female	-
Contact	Beryllium Copper	Gold	Beryllium Copper	Gold
Insulation	PEI	-	PEI	-
Outer Conductor	-	-	-	-
Body	Stainless Steel	Passivated	Stainless Steel	Passivated
Gasket	-	-	-	-
Coupling Nut	Stainless Steel	Passivated	-	-

Environmental Specifications

Temperature

Operating Range -60 to +165 deg C

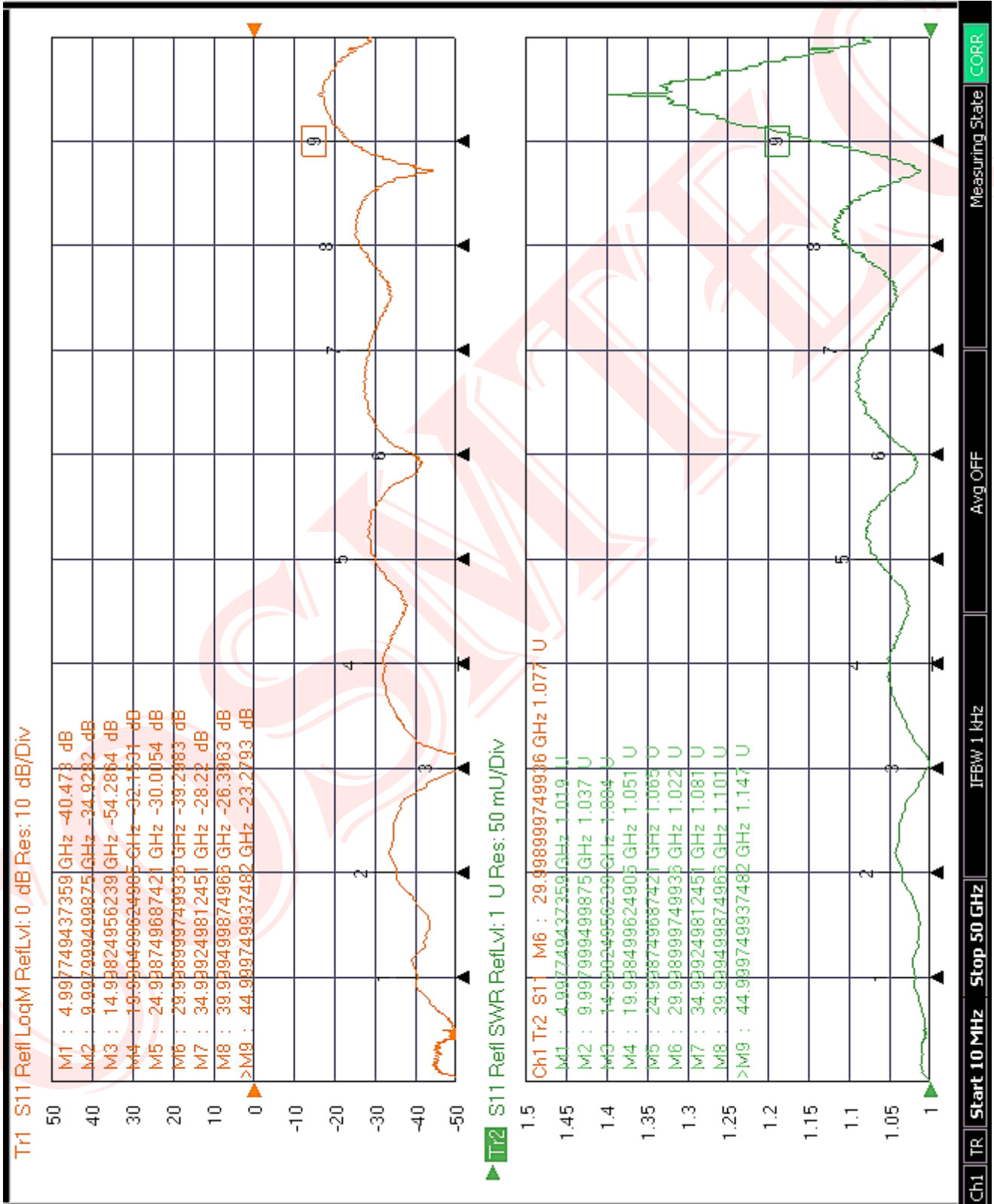
Compliance Certifications

- RoHS Compliant Yes

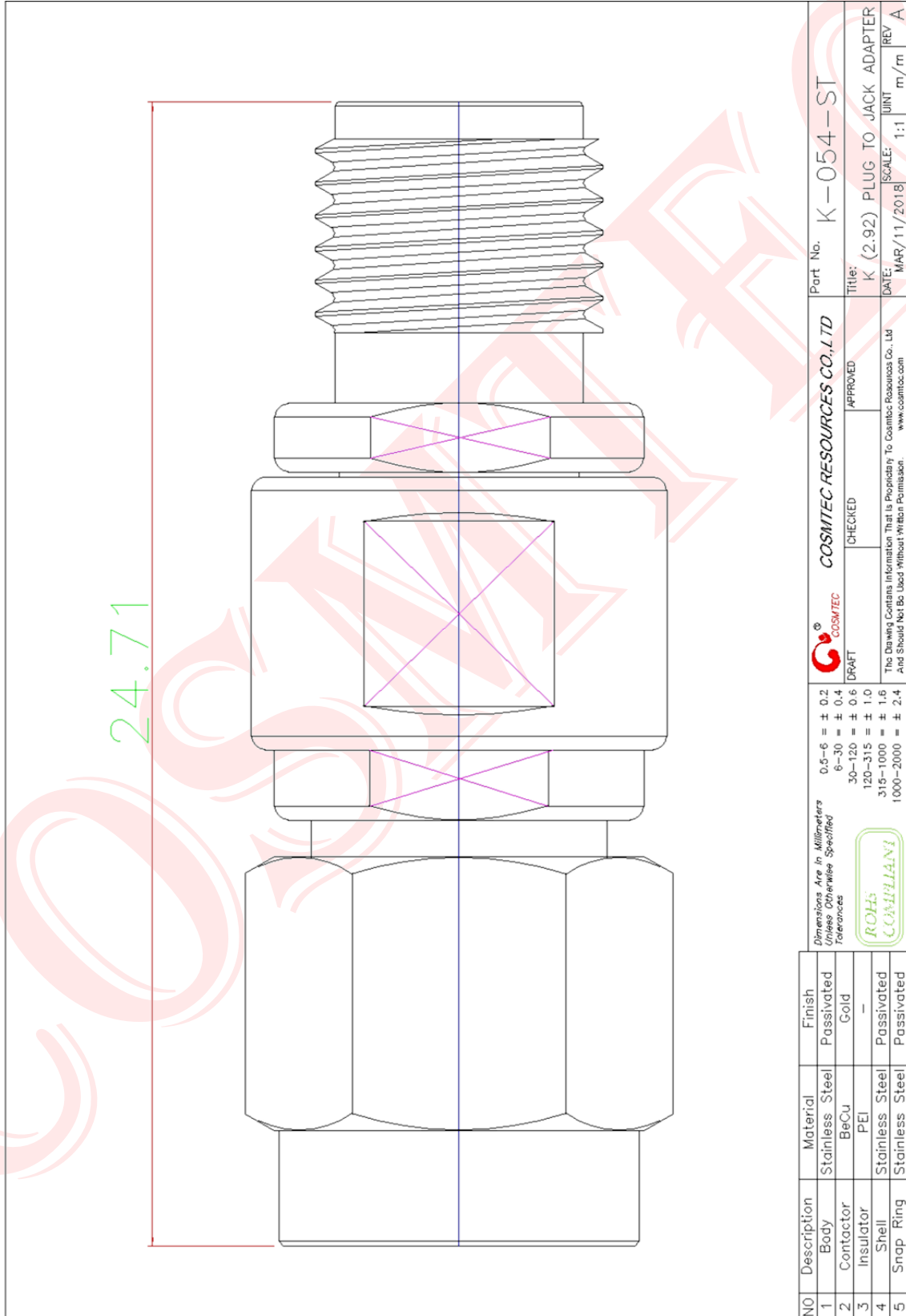
Plotted and Other Data

Notes: Do Turn Male (Plug) Connector's Nut (Shell) Only To Tighten

**2.92(K) Male to 2.92(K) Female Adapter
RF Connector Technical Data Sheet
K-054-ST**



**2.92(K) Male to 2.92(K) Female Adapter
RF Connector Technical Data Sheet
K-054-ST**



NO		Description	Material	Finish	Tolerances		ROHS COMPLIANT	
1	Body	Stainless Steel	Passivated	0.5-6 = ± 0.2	Dimensions Are in Millimeters Unless Otherwise Specified			
2	Contact	BeCu	Gold	6-30 = ± 0.4				
3	Insulator	PEI	—	30-120 = ± 0.6				
4	Shell	Stainless Steel	Passivated	120-315 = ± 1.0				
5	Snap Ring	Stainless Steel	Passivated	315-1000 = ± 1.6				
				1000-2000 = ± 2.4				

Part No.	K-054-ST
Title:	K (2.92) PLUG TO JACK ADAPTER
DATE:	MAR/11/2018
SCALE:	1:1
UNIT	m/m
REV	A

 COSMTEC		COSMTEC RESOURCES CO., LTD	
DRAFT	CHECKED	APPROVED	
<small>The Drawing Contains Information That is Proprietary To Cosmtec Resources Co., Ltd. And Should Not Be Used Without Written Permission. www.cosmtec.com</small>			