

**2.92(K) Male to 1.85(V) Female Adapter**  
**RF Connector Technical Data Sheet**  
**K-009-ST**

**Configuration**

- 2.92(K) Male Connectr 1
- 1.85(V) Female Connectr 2
- 50 Ohms

**Features**

- Max VSWR of 1.2 : 1 up to 40 GHz
- 2.92(K) Interface compliant with IEC-61169-35
- 1.85(V) Interface compliant with IEC-61169-32

**Applications**

- General Purpose Test

**Electrical Specifications**

Description	Minimum	Typical	Maximum	Units
Frequency Range	DC		40	GHz
VSWR	1.15		1.2 : 1	
Operating Voltagr(AC)			250	Vrms
Inner Conductor DC Resistance			3	mOhms
Outer Conductor DC Resistance			2	mOhms
Insertion Resistance	5,000			MOhms

**Mechanical Specifications**

**Size**

Length	[mm]	24.66
Width	[mm]	9.0
Height	[mm]	9.0
Weight	[g]	7.0



**2.92(K) Male to 1.85(V) Female Adapter**  
**RF Connector Technical Data Sheet**  
**K-009-ST**

Description	Connector 1	Connector2
Type	2.92(K) Male	1.85(V) Female
Polarity	Standard	Standard
Interface Specification	IEC-61169-35	IEC-61169-32
Mating Cycles	500	500
Hex Size	-	-
Mating Torque	-	-
Coupling Proof Torque, Min	-	-

**Material Specifications**

Description	Connector 1		Connector2	
	Material	Plating	Material	Plating
Type	2.92(K) Male	-	1.85(V) Female	-
Contact	Beryllium Copper	Gold	Beryllium Copper	Gold
Insulation	PEI	-	PEI	-
Outer Conductor	-	-	-	-
Body	Stainless Steel	Passivated	Stainless Steel	Passivated
Gasket	-	-	-	-
Coupling Nut	Stainless Steel -	Passivated	-	-

**Environmental Specifications**

**Temperature**

Operating Range -60 to +165 deg C

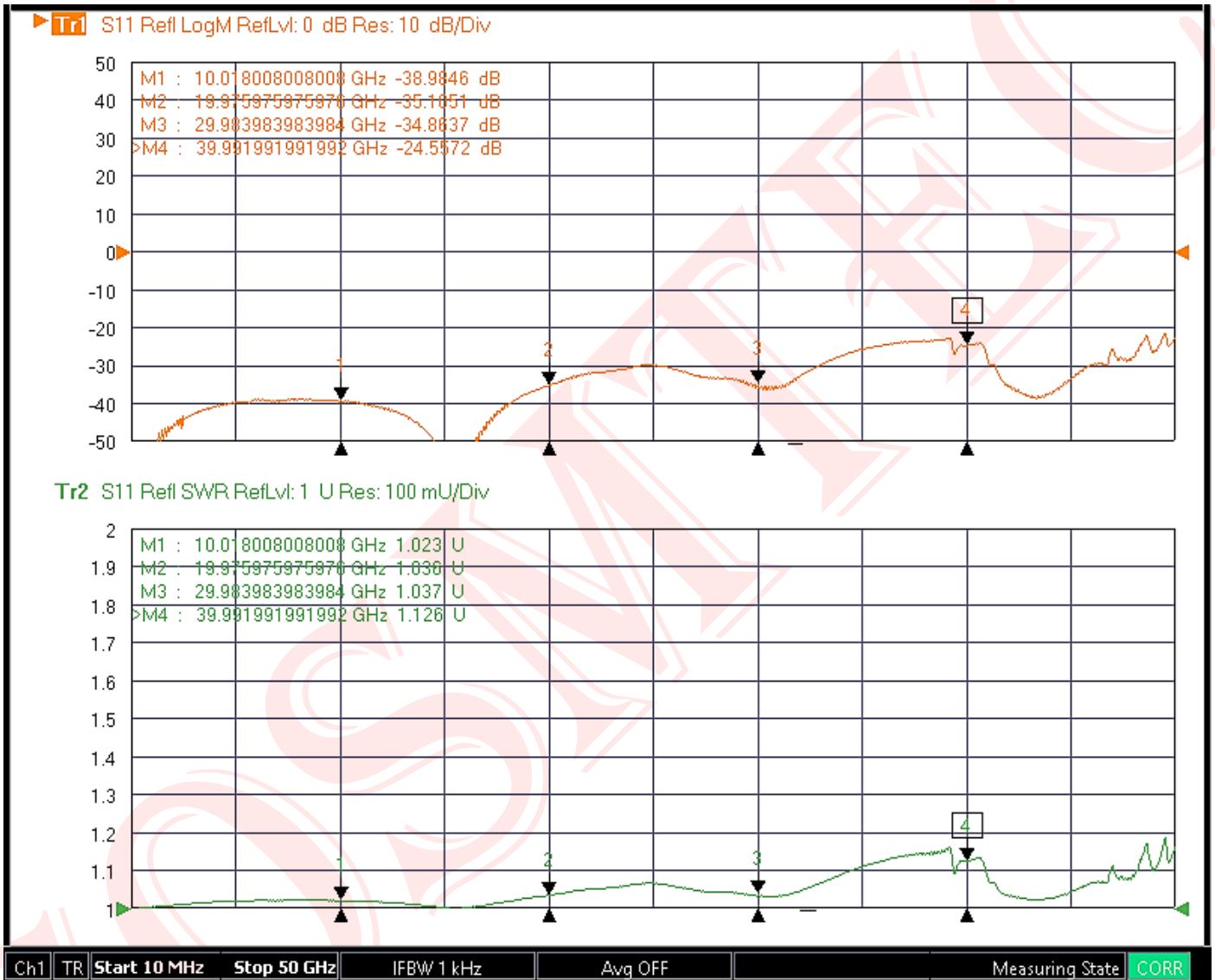
**Compliance Certifications**

- RoHS Compliant Yes

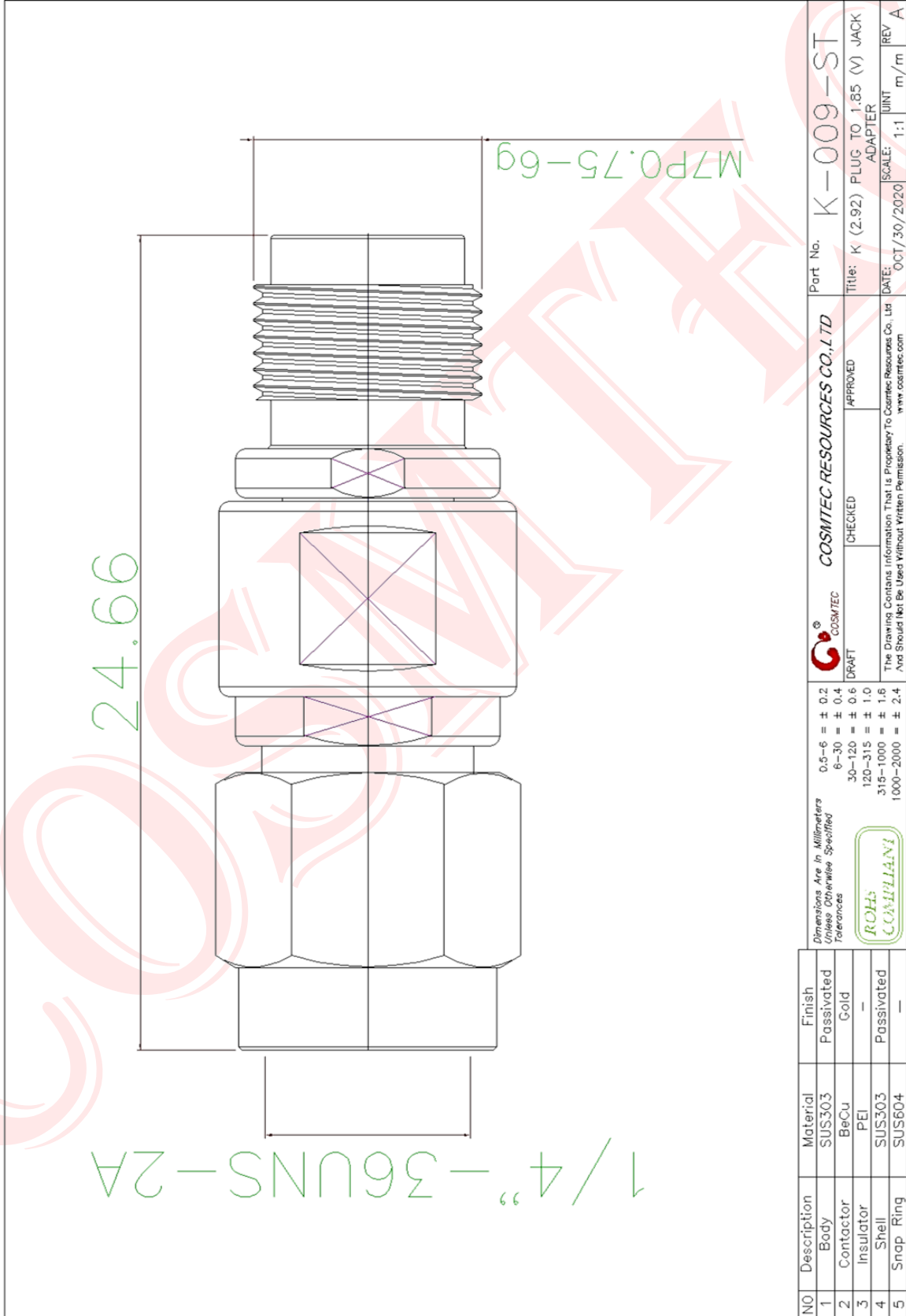
**Plotted and Other Data**

Notes: Do Turn Male (Plug) Connector's Nut (Shell) Only To Tighten

**2.92(K) Male to 1.85(V) Female Adapter**  
**RF Connector Technical Data Sheet**  
**K-009-ST**



**2.92(K) Male to 1.85(V) Female Adapter  
RF Connector Technical Data Sheet  
K-009-ST**



NO		Description	Material	Finish	Tolerances		Tolerances		Tolerances		Tolerances		Tolerances		Tolerances		Tolerances	
1	Body	SUS303	Passivated	± 0.2	± 0.4	± 0.6	± 1.0	± 1.6	± 2.4	± 0.2	± 0.4	± 0.6	± 1.0	± 1.6	± 2.4	± 0.2	± 0.4	± 0.6
2	Contact	BeCu	Gold	± 0.2	± 0.4	± 0.6	± 1.0	± 1.6	± 2.4	± 0.2	± 0.4	± 0.6	± 1.0	± 1.6	± 2.4	± 0.2	± 0.4	± 0.6
3	Insulator	PEI	—	± 0.2	± 0.4	± 0.6	± 1.0	± 1.6	± 2.4	± 0.2	± 0.4	± 0.6	± 1.0	± 1.6	± 2.4	± 0.2	± 0.4	± 0.6
4	Shell	SUS303	Passivated	± 0.2	± 0.4	± 0.6	± 1.0	± 1.6	± 2.4	± 0.2	± 0.4	± 0.6	± 1.0	± 1.6	± 2.4	± 0.2	± 0.4	± 0.6
5	Snap Ring	SUS604	—	± 0.2	± 0.4	± 0.6	± 1.0	± 1.6	± 2.4	± 0.2	± 0.4	± 0.6	± 1.0	± 1.6	± 2.4	± 0.2	± 0.4	± 0.6

Part No. **K-009-ST**  
Title: **K (2.92) PLUG TO 1.85 (V) JACK ADAPTER**  
DATE: **OCT/30/2020** | UNIT: **1:1** | m/m | REV: **A**

**COSMTEC RESOURCES CO., LTD**  
APPROVED

**COSMTEC**  
CHECKED

Dimensions Are in Millimeters Unless Otherwise Specified  
Tolerances  
0.5-6 = ± 0.2  
6-30 = ± 0.4  
30-120 = ± 0.6  
120-315 = ± 1.0  
315-1000 = ± 1.6  
1000-2000 = ± 2.4

**ROHS COMPLIANT**

The Drawing Contains Information That is Proprietary To Cosmtec Resources Co., Ltd  
And Should Not Be Used Without Written Permission.  
www.cosmtec.com