

2.92(K) Male to 2.92(K) Male Adapter
RF Connector Technical Data Sheet
K-005-ST

Configuration

- 2.92(K) Male Connectr 1
- 2.92(K) Male Connectr 2
- 50 Ohms

Features

- Max VSWR of 1.2 : 1 up to 40 GHz
- 2.92(K) Interface compliant with IEC-61169-35


Applications

- General Purpose Test

Electrical Specifications

Description	Minimum	Typical	Maximum	Units
Frequency Range	DC		40	GHz
VSWR	1.15		1.2 : 1	
Operating Voltagr(AC)			250	Vrms
Inner Conductor DC Resistance			3	mOhms
Outer Conductor DC Resistance			2	mOhms
Insertion Resistance	5,000			MOhms

Mechanical Specifications
Size

Length	[mm]	25.48
Width	[mm]	9.0
Height	[mm]	9.0
Weight	[g]	8.0

2.92(K) Male to 2.92(K) Male Adapter
RF Connector Technical Data Sheet
K-005-ST

Description	Connector 1	Connector2
Type	2.92(K) Male	2.92(K) Male
Polarity	Standard	Standard
Interface Specification	IEC-61169-35	IEC-61169-35
Mating Cycles	500	500
Hex Size	8mm	8mm
Mating Torque	8 in-lbs	8 in-lbs
Coupling Proof Torque, Min	5 in-lbs	5 in-lbs

Material Specifications

Description	Connector 1		Connector2	
	Material	Plating	Material	Plating
Type	2.92(K) Male	-	2.92(K) Male	-
Contact	Beryllium Copper	Gold	Beryllium Copper	Gold
Insulation	PEI	-	PEI	-
Outer Conductor	-	-	-	-
Body	Stainless Steel	Passivated	Stainless Steel	Passivated
Gasket	-	-	-	-
Coupling Nut	Stainless Steel	Passivated	Stainless Steel	Passivated

Environmental Specifications
Temperature

Operating Range -60 to +165 deg C

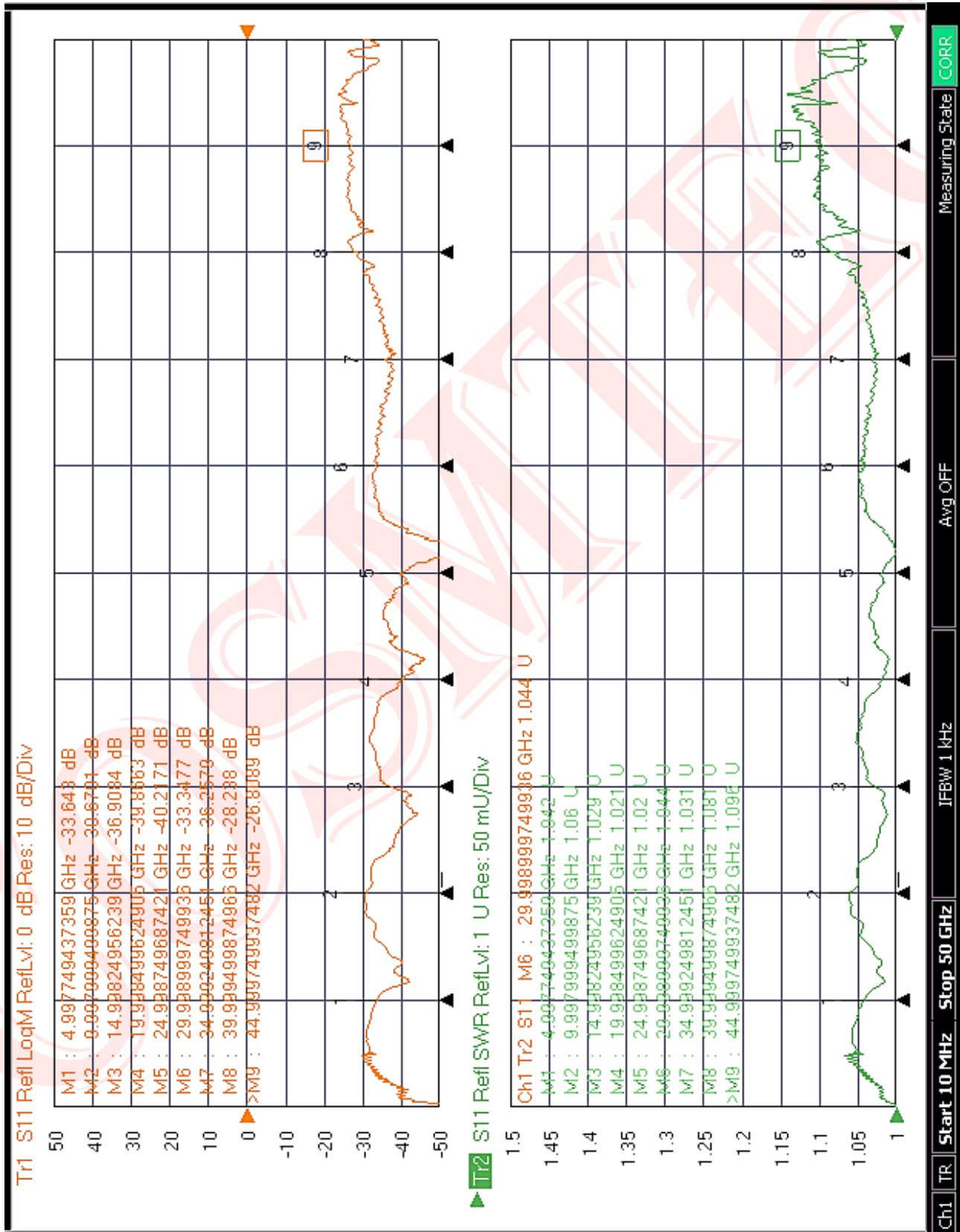
Compliance Certifications

- RoHS Compliant Yes

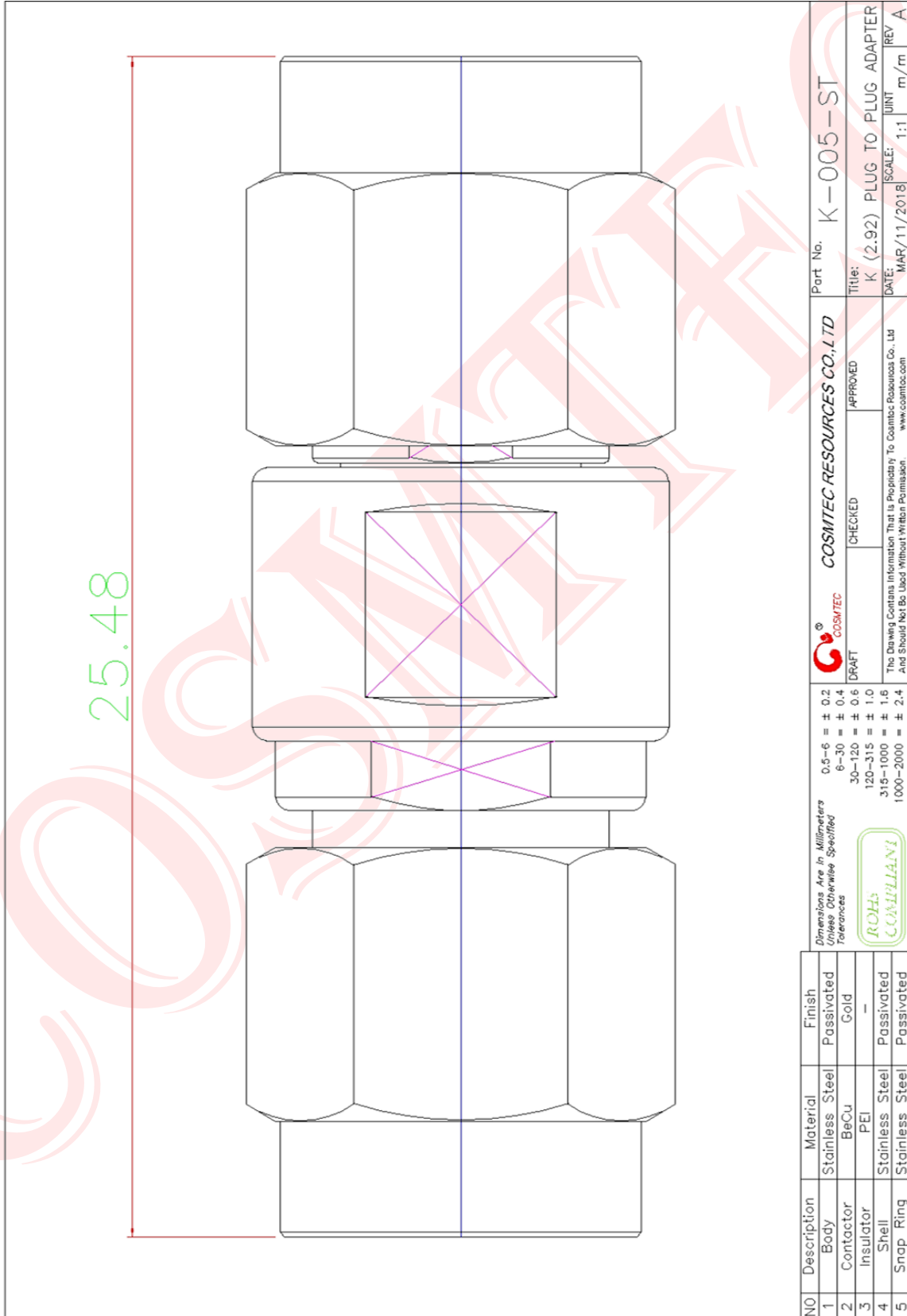
Plotted and Other Data

Notes: Do Turn Male (Plug) Connector's Nut (Shell) Only To Tighten

2.92(K) Male to 2.92(K) Male Adapter
RF Connector Technical Data Sheet
K-005-ST



2.92(K) Male to 2.92(K) Male Adapter
RF Connector Technical Data Sheet
K-005-ST



Part No. K-005-ST		Title: K (2.92) PLUG TO PLUG ADAPTER	
DRAFT		CHECKED	APPROVED
<small>Dimensions Are In Millimeters Unless Otherwise Specified</small> Tolerances 0.5-6 ± 0.2 6-30 ± 0.4 30-120 ± 0.6 120-315 ± 1.0 315-1000 ± 1.6 1000-2000 ± 2.4		The Drawing Contains Information That is Proprietary To Cosmtec Resources Co., Ltd. And Should Not Be Used Without Written Permission. www.cosmtec.com	
COSMTEC COSMTEC RESOURCES CO., LTD		DATE: MAR/11/2018	QUANTITY: 1:m
RCH's CHANG-LIAN		SCALE: 1:1	REV: A
NO	Description	Material	Finish
1	Body	Stainless Steel	Passivated
2	Contact	BeCu	Gold
3	Insulator	PEI	-
4	Shell	Stainless Steel	Passivated
5	Snap Ring	Stainless Steel	Passivated